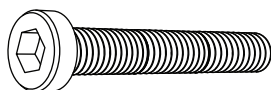


Congratulations on the purchase of your Abigail 5 drawer chest. This chest has been crafted to the highest standards of quality and safety and will give you many years of enjoyment and practical use.

Since this chest is a natural hardwood product there will be variations in color and grain, and minor wood grain checking may occur. This is normal and does not compromise the integrity of your chest. Variation in the character of this piece is integral to its beauty and distinguishes it from lower quality composite materials.

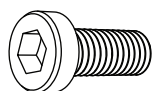
Assembly is quite simple and requires only a Phillips head screwdriver. The use of a power drill with Phillips head attachment is helpful but not necessary. Assembly will be most easily accomplished if you take the time to carefully sort the hardware and familiarize yourself with the function of each piece.

HARDWARE LIST



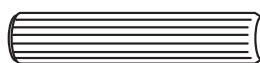
3x 45mm Bolts

Used to attach valance to chest



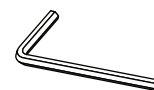
16x 15mm Bolts

Used to attach legs to chest



2x 30mm wood dowel

Used to attach the valance



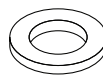
1x Allen Wrench

Used to tighten bolts



16x Spring Washers

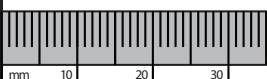
Used to attach legs



16x Flat Washers

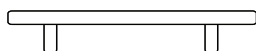
Used to attach legs

Guide



PARTS

PRE-INSTALLED



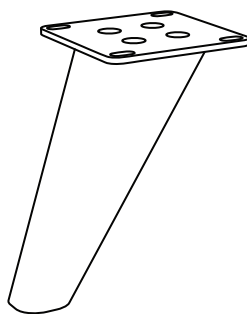
5x Drawer handles

Used to open drawers

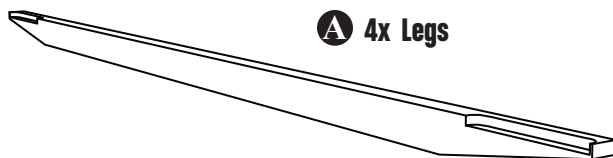


10x 40mm Machine Screws

Used to attach drawer handle



A 4x Legs



B 1x Valance



1x 5 Drawer Chest

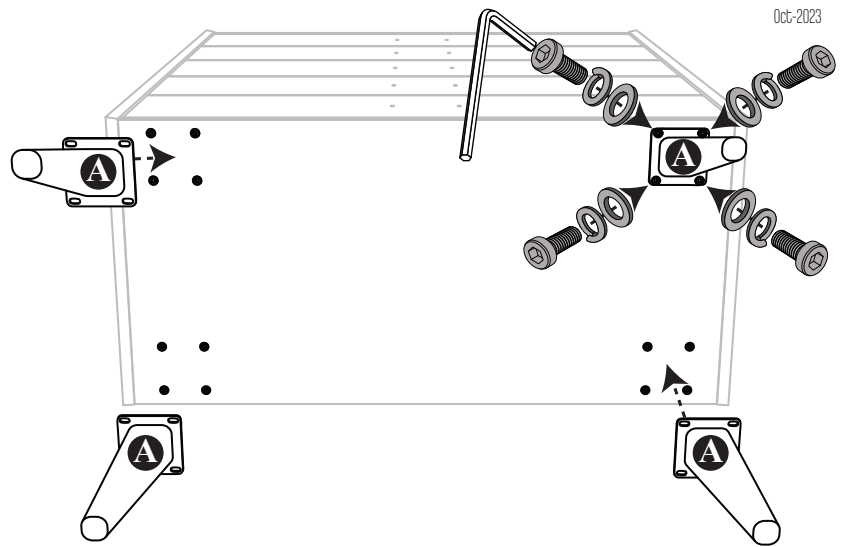
If you should require assistance with assembly, part replacement or any other matter, contact the toll-free Epoch Design Service Center from anywhere in the Continental United States, Monday through Friday, 9 AM – 5 PM Pacific Standard Time at 1-800-589-7990. You may also email your request or comments to info@epochbydesign.com and a service representative will respond.

Thank you and Enjoy

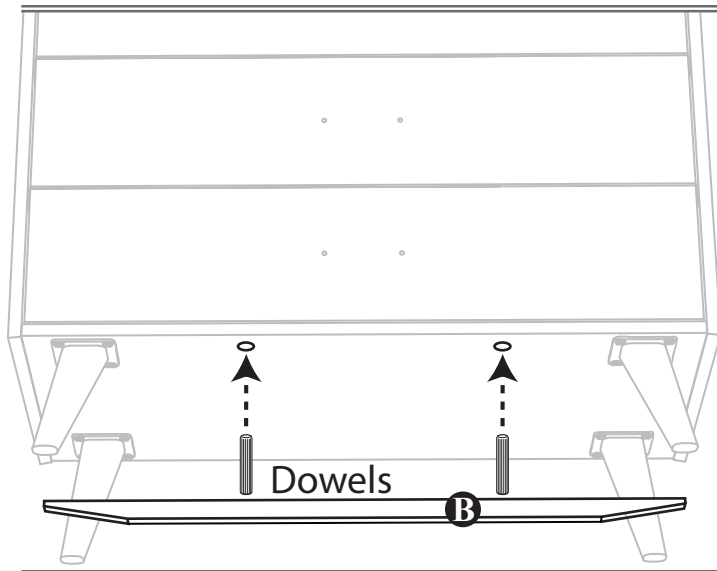
HAVE QUESTIONS OR CONCERNS? CALL US FIRST: 1-800-589-7990

COPYRIGHT © 2019 EPOCH DESIGN™ ALL RIGHTS RESERVED

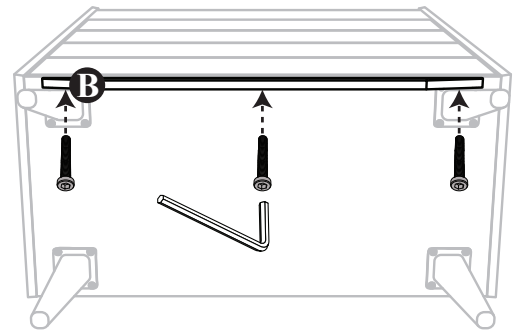
- ① Carefully lay the chest on it's back on a clean soft surface. Once in the correct position, install the four legs (A) onto the bottom of the chest by threading a spring washer and then a flat washer through the 15mm bolts, 4 per leg, tighten using the Allen wrench provided.



***NOTE:** Each leg bottom should point outward towards it's nearest outer corner as illustrated.



- ② Install the valance (D) on the bottom of the dresser using the two dowels and three 45mm bolts, tighten with the Allen wrench provided.



- ③ To install drawer handles, first unscrew the handle from the inside of the drawer. Place the handle on the outside of drawer and insert the screw through the pre-drilled hole located on the inside of the drawer.

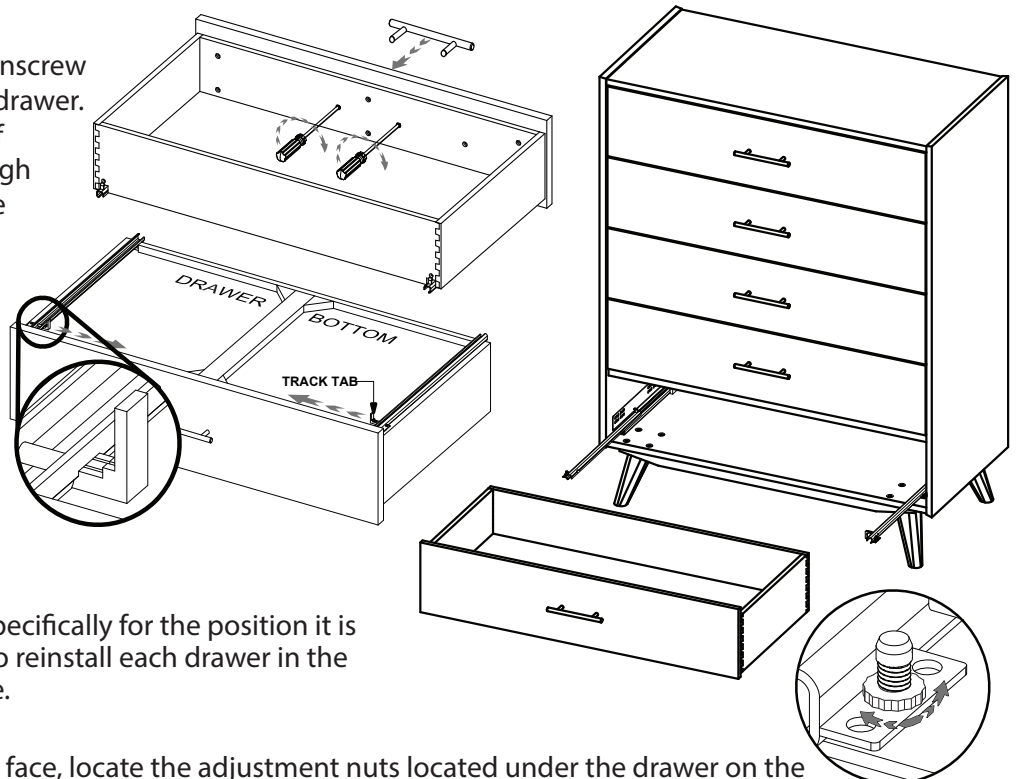
To remove a drawer locate the two track tabs on the underside of the drawer. Pull the track tabs inward toward the center of the drawer to unlock. You will now be able to remove the drawer.

Re installation steps are the same, but in reverse order.

Each drawer is manufactured specifically for the position it is packaged and arrives in. Be sure to reinstall each drawer in the same location as it originally came.

Drawer adjustments:

To adjust the height of the drawer face, locate the adjustment nuts located under the drawer on the lower, outer sides. Turn the nut clockwise to lower and counter clockwise to raise the drawer face.



HAVE QUESTIONS OR CONCERNS? CALL US FIRST: 1-800-589-7990

COPYRIGHT © 2019 EPOCH DESIGN™ ALL RIGHTS RESERVED