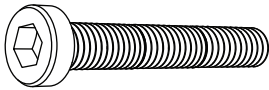


Congratulations on the purchase of your ABIGAIL 6 drawer dresser. This dresser has been crafted to the highest standards of quality and safety and will give you many years of enjoyment and practical use.

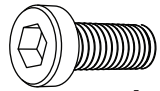
Since this dresser is a natural bamboo product there will be variations in color and grain, and minor wood grain checking may occur. This is normal and does not compromise the integrity of your dresser. Variation in the character of this piece is integral to its beauty and distinguishes it from lower quality composite materials.

Assembly is quite simple and requires only a Phillips head screwdriver. The use of a power drill with Phillips head attachment is helpful but not necessary. Assembly will be most easily accomplished if you take the time to carefully sort the hardware and familiarize yourself with the function of each piece.

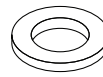
HARDWARE LIST



4x 45mm Bolts
Used to attach valance to dresser

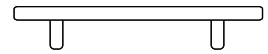


20x 15mm Bolts
Used to attach legs



20x Flat Washers
Used to attach legs

PRE-INSTALLED



6x Drawer handles
Used to open drawers



3x 30mm wood dowel
Used to attach the Valance



20x Spring Washers
Used to attach legs

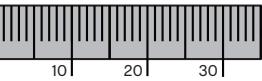


1x Allen Wrench
Used to tighten bolts

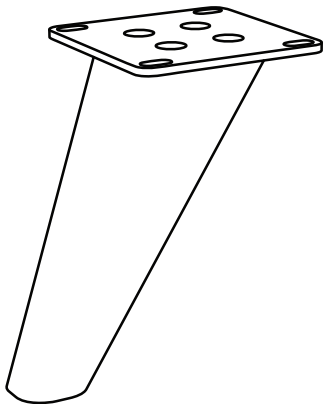


12x 40mm Machine Screws
Used to attach drawer handles

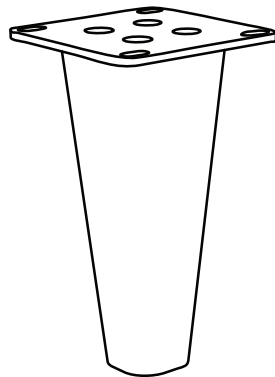
Guide



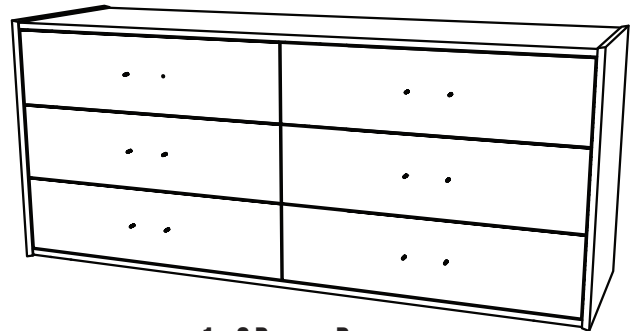
PARTS



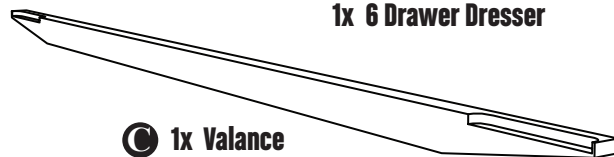
A 4x Outer Legs



B 1x Center Leg
*includes lever foot on bottom



1x 6 Drawer Dresser



C 1x Valance

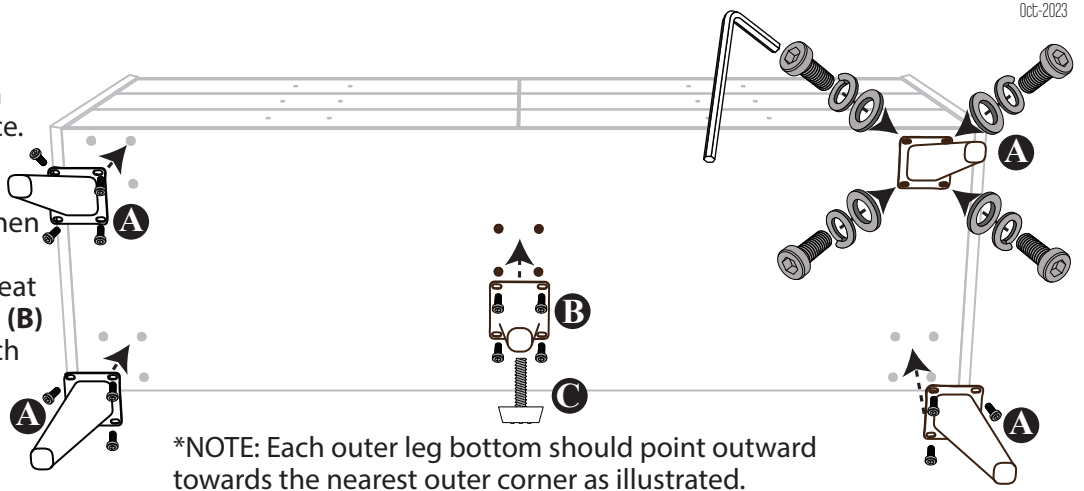
If you should require assistance with assembly, part replacement or any other matter, contact the toll-free Epoch Design Service Center from anywhere in the Continental United States, Monday through Friday, 9 AM – 5 PM Pacific Standard Time at 1-800-589-7990. You may also email your request or comments to info@epochbydesign.com and a service representative will respond.

Thank you and Enjoy

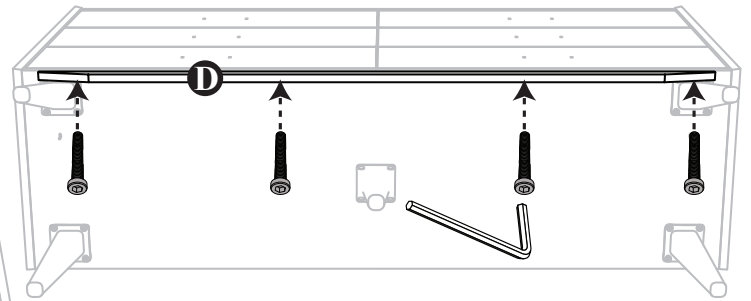
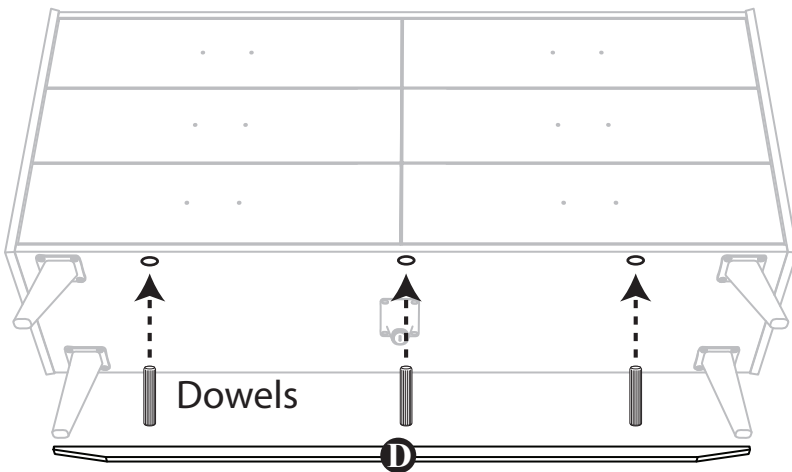
HAVE QUESTIONS OR CONCERNS? CALL US FIRST: 1-800-589-7990

COPYRIGHT © 2023 EPOCH DESIGN™ ALL RIGHTS RESERVED

- ① Carefully lay the dresser on its back on a clean soft surface. Once in the correct position, install the four outer legs by threading a flat washer and then a spring washer through the 15mm bolts, 4 per leg (A) repeat this process on the center leg (B) tighten using the Allen wrench provided. You may adjust the height of the leveler leg (C) by twisting it in or out of the center leg (B)

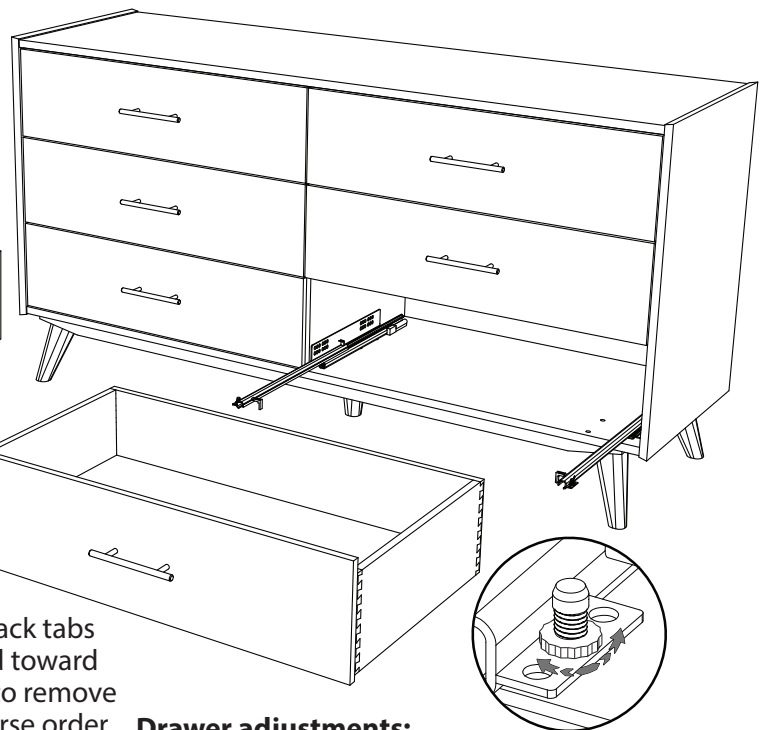
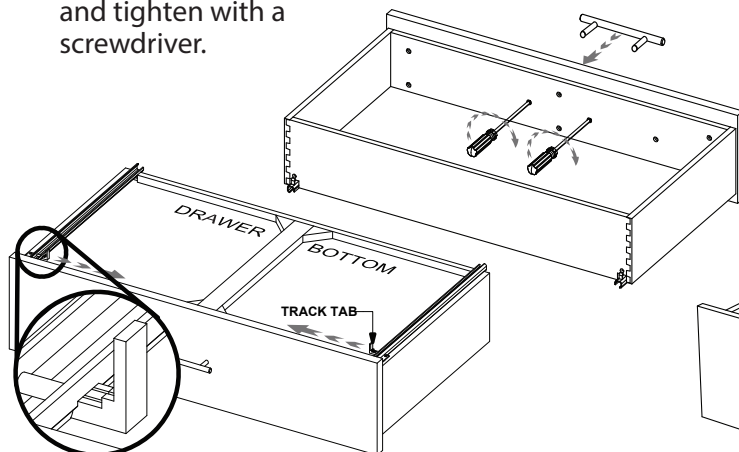


*NOTE: Each outer leg bottom should point outward towards the nearest outer corner as illustrated.



- ② Install the valance (D) on the bottom of the dresser using the three dowels and four 45mm bolts, tighten with the Allen wrench provided.

- ③ To install drawer handles, first unscrew the handle from the inside of the drawer. Place the handle on the outside of drawer and insert the screw through the pre-drilled hole located on the inside of the drawer, and tighten with a screwdriver.



To remove a drawer from the dresser, locate the two track tabs on the underside of the drawer. Pull the track tabs inward toward the center of the drawer to unlock. You will now be able to remove the drawer. Re installation steps are the same, but in reverse order.

Each drawer is manufactured specifically for the position it is packaged and arrives in. Be sure to reinstall each drawer in the same location as it originally came.

Drawer adjustments:

To adjust the height of the drawer face, locate the adjustment nuts located under the drawer on the lower, outer sides. Turn the nut clockwise to lower and counter clockwise to raise the drawer face.