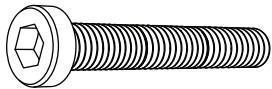


Congratulations on the purchase of your Abigail nightstand. This nightstand has been crafted to the highest standards of quality and safety and will give you many years of enjoyment and practical use.

Since this nightstand is a natural hardwood product there will be variations in color and grain, and minor wood grain checking may occur. This is normal and does not compromise the integrity of your dresser. Variation in the character of this piece is integral to its beauty and distinguishes it from lower quality composite materials.

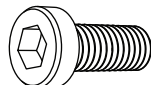
Assembly is quite simple and requires only a Phillips head screwdriver. The use of a power drill with Phillips head attachment is helpful but not necessary. Assembly will be most easily accomplished if you take the time to carefully sort the hardware and familiarize yourself with the function of each piece.

HARDWARE LIST



2x 45mm Bolts

Used to attach valance to dresser



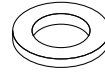
16x 15mm Bolts

Used to attach legs to nightstand



16x Spring Washers

Used to attach legs



16x Flat Washers

Used to attach legs



1x Allen Wrench

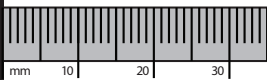
Used to tighten bolts



2x 30mm wood dowel

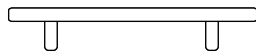
Used to attach the Valance

Guide



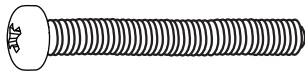
PARTS

PRE-INSTALLED



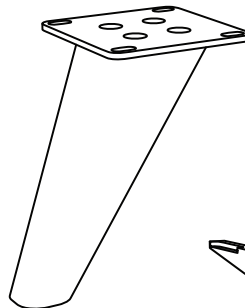
1x Drawer handle

Used to open drawer

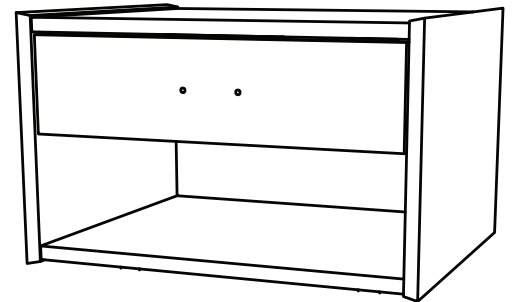


2x 40mm Machine Screws

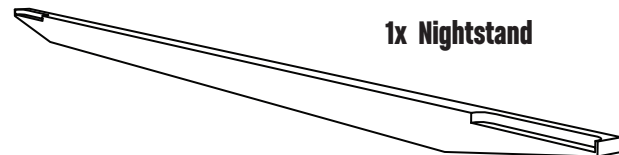
Used to attach drawer handle



A 4x Legs



1x Nightstand



B 1x Valance

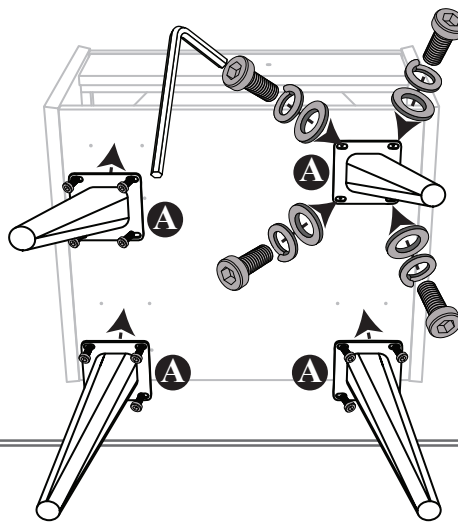
If you should require assistance with assembly, part replacement or any other matter, contact the toll-free Epoch Design Service Center from anywhere in the Continental United States, Monday through Friday, 9 AM – 5 PM Pacific Standard Time at 1-800-589-7990. You may also email your request or comments to info@epochbydesign.com and a service representative will respond.

Thank you and Enjoy

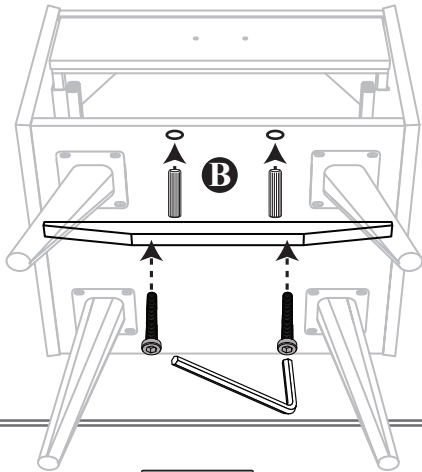
HAVE QUESTIONS OR CONCERNS? CALL US FIRST: 1-800-589-7990

COPYRIGHT © 2023 EPOCH DESIGN™ ALL RIGHTS RESERVED

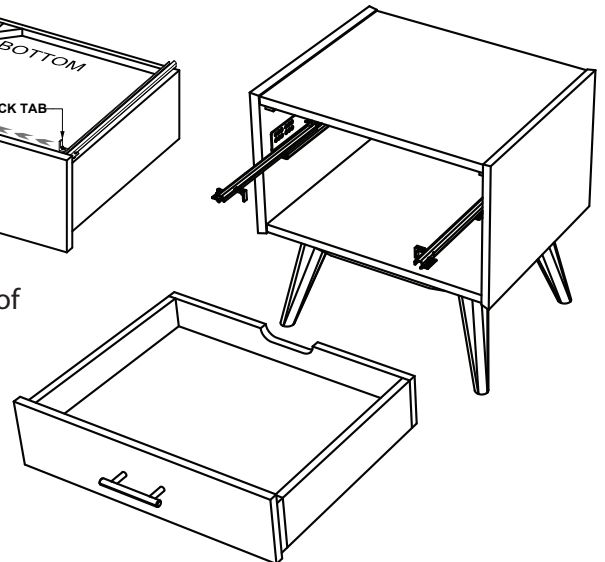
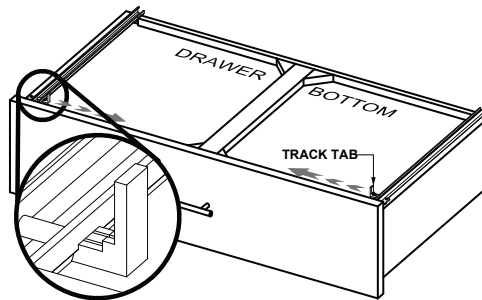
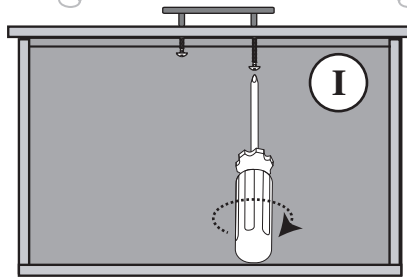
- ① Carefully lay the nightstand on its back on a clean soft surface. Once in the correct position, install the four outer legs (A) onto the bottom of the nightstand by threading a spring washer and then a flat washer through the 15mm bolts, 4 per leg, tighten using the Allen wrench provided.



***NOTE:** Each leg bottom should point outward towards the nearest outer corner as illustrated.



- ② Install the valance (B) on the bottom of the nightstand using two dowels and two 45mm bolts, tighten with the Allen wrench provided, then return the nightstand to its upright position.

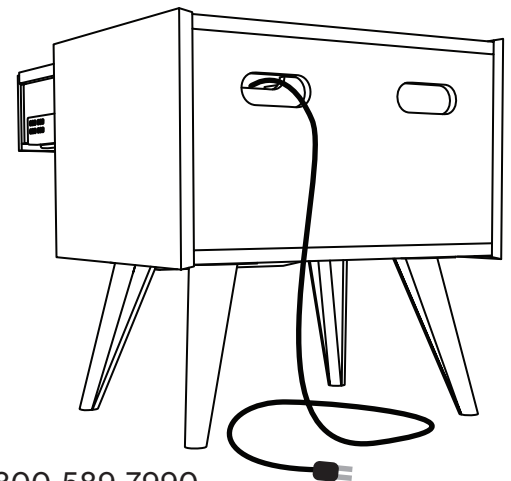
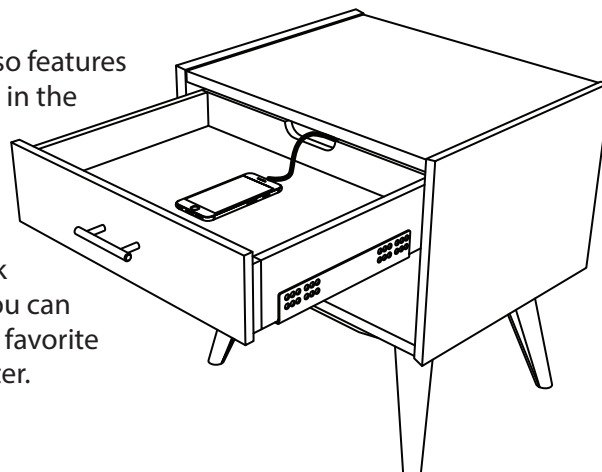


- ③ To install drawer handle, first unscrew the handle from the inside of the drawer. Place the handle on the outside of drawer and insert the screw through the pre-drilled hole located on the inside of the drawer. (Diagram I).

To remove the drawer, locate the two track tabs on the underside of the drawer. Pull the track tabs inward toward the center of the drawer to unlock. You will now be able to remove the drawer. Re installation steps are the same, but in reverse order.

The Abigail nightstand also features a cord management boot in the back of each nightstand.

Simply run your power cable through drawer cradle and out of the back of your nightstand and you can conveniently charge your favorite electronics free from clutter.



HAVE QUESTIONS OR CONCERNS? CALL US FIRST: 1-800-589-7990

COPYRIGHT © 2023 EPOCH DESIGN™ ALL RIGHTS RESERVED