

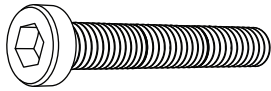
Congratulations on the purchase of your Abigail Platform Bed. This bed has been crafted to the highest standards of quality and safety and will give you many years of enjoyment and practical use.

On this insert you will find a list of the hardware and platform bed parts as well as detailed assembly instructions. Assembly is quite simple and requires only a Phillips head screwdriver. The use of a power drill with Phillips head attachment is helpful but not necessary. Assembly will be most easily accomplished if you take the time to carefully sort the hardware and familiarize yourself with the function of each piece.

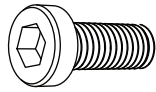
If you need assistance with assembly, part replacement or any other matter, please contact the toll-free Epoch Design Customer Service Team from Monday through Friday, 9 AM-6 PM PST at 1 (800) 589-7990. You may also email your request or comments to info@epochbydesign.com and a customer service representative will respond.

Thank you and Enjoy

HARDWARE LIST



8x 45mm Bolts
Used to attach headboard & valance



20x 15mm Bolts
Used to attach legs & corner brackets



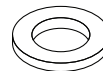
3x 30mm wood dowel
Used to attach the valance



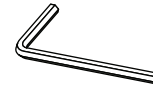
38x 25mm Wood Screws
Used to attach slat bundle to rails & center support to brackets



24x Spring Washers
Used to attach legs & corner brackets

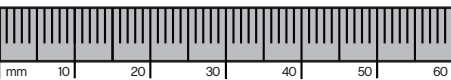


24x Flat Washers
Used to attach legs & corner brackets

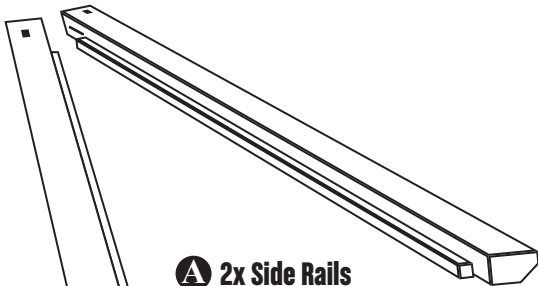


1x Allen Wrench
Used to tighten bolts

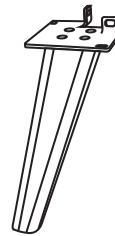
Guide



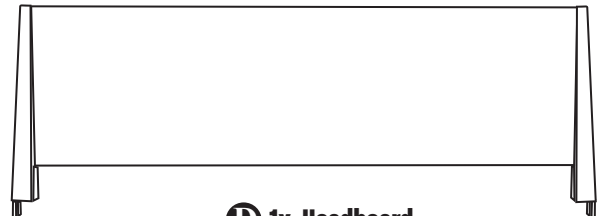
BED PARTS



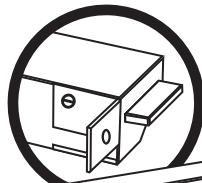
A 2x Side Rails
Used to connect end boards



D 4x Legs



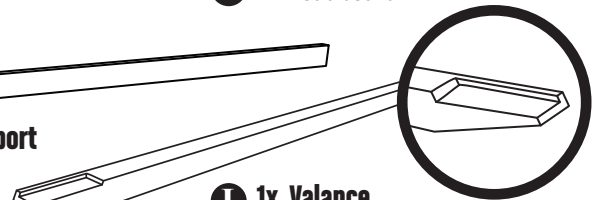
D 1x Headboard



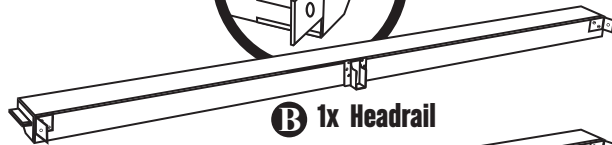
B 1x Headrail



F 1x Center Support



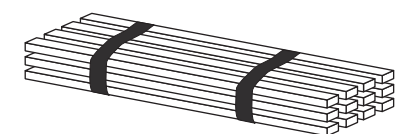
I 1x Valance



C 1x Footboard
Has 3 dowel holes on bottom side for valance



G 2x Drop Foot

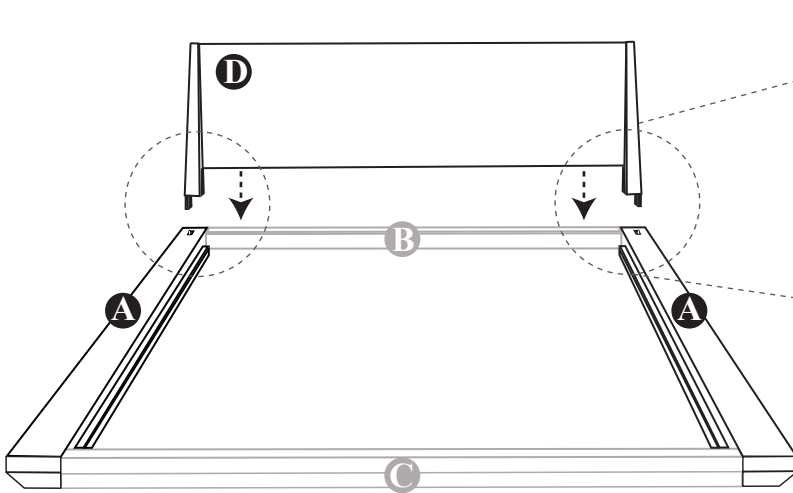
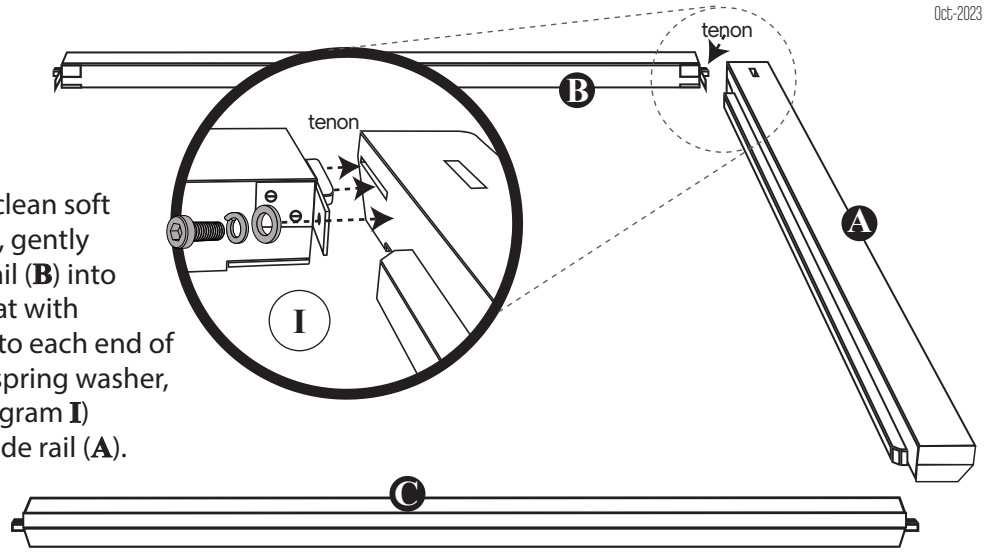


H 1x Slat Bundle
rests on side rails (strap side down) & supports mattress

HAVE QUESTIONS OR CONCERNS? CALL US FIRST: 1-800-589-7990

COPYRIGHT © 2023 EPOCH DESIGN™ ALL RIGHTS RESERVED

- ① Carefully place both side rails (A), headrail (B) and footboard (C) on a clean soft surface. Once in the correct position, gently slide the hardwood tenon on headrail (B) into the mortise slot on side rail (A) repeat with footboard (C). Secure the L brackets to each end of each bedrail and footboard using a spring washer, a flat washer, and a 15mm bolt. (Diagram I) Repeat this step with the opposite side rail (A).

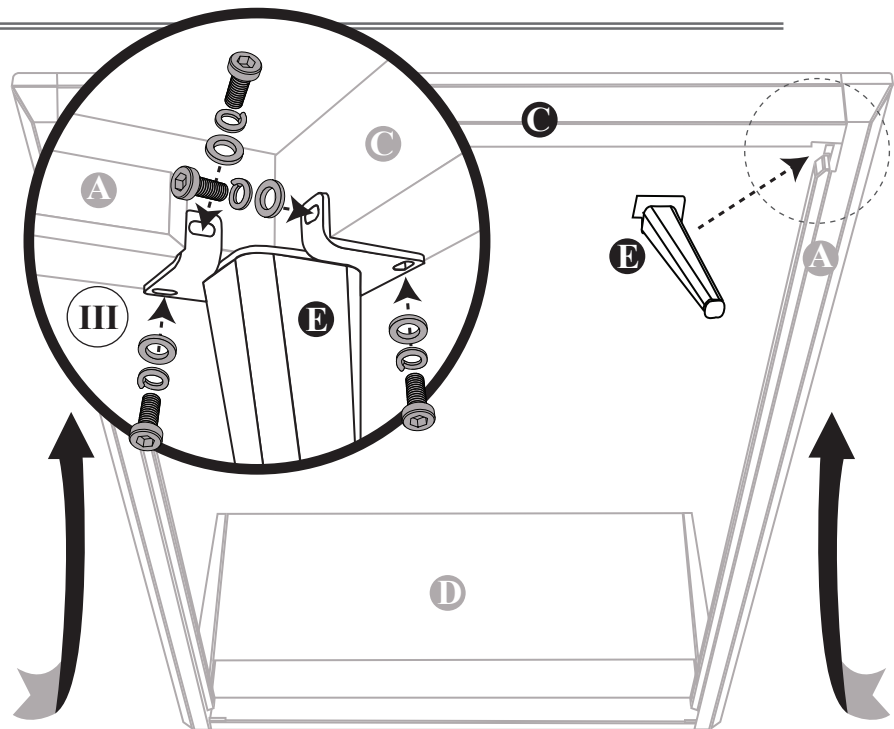


- ② Gently and evenly slide both hardwood tenons on headboard (D) into the mortise slots on the top side of the side rails (A). (Diagram II)

- ③ Carefully tilt the bed frame upward by raising the footboard end (C) and insert the two legs (E) into the notched alcoves in the footboard (C) and the side rails (A).

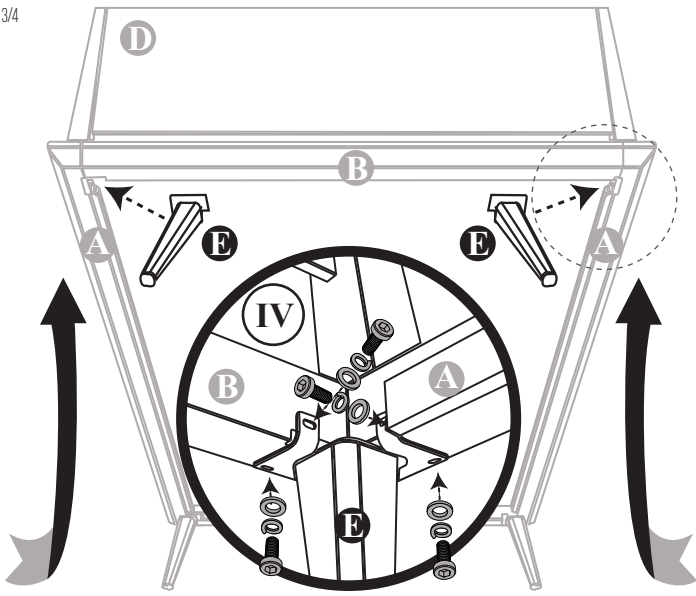
Loosely attach the legs (E) to the bed frame by inserting 15mm bolts through a spring washer and a flat washer then into the raised bracket arms on the legs on the inside of the bed frame and finger tighten. (Diagram III)

Then insert 15mm bolts through a spring washer and a flat washer then into the bottom of the leg brackets and into the footboard (C) and the side rails (A) and finger tighten.



HAVE QUESTIONS OR CONCERNS? CALL US FIRST: 1-800-589-7990

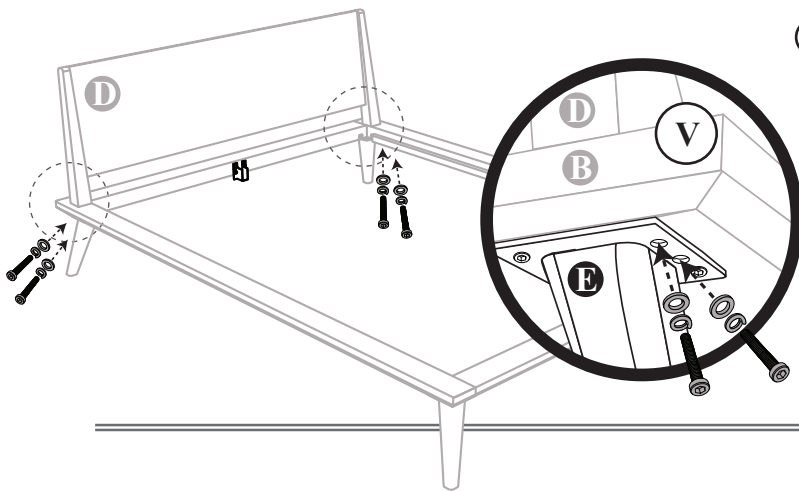
COPYRIGHT © 2023 EPOCH DESIGN™ ALL RIGHTS RESERVED



- ④ Lift the bed frame from the headboard end (D) and insert the two legs (E) into the notched alcoves in the headrail (B) and the side rails (A).

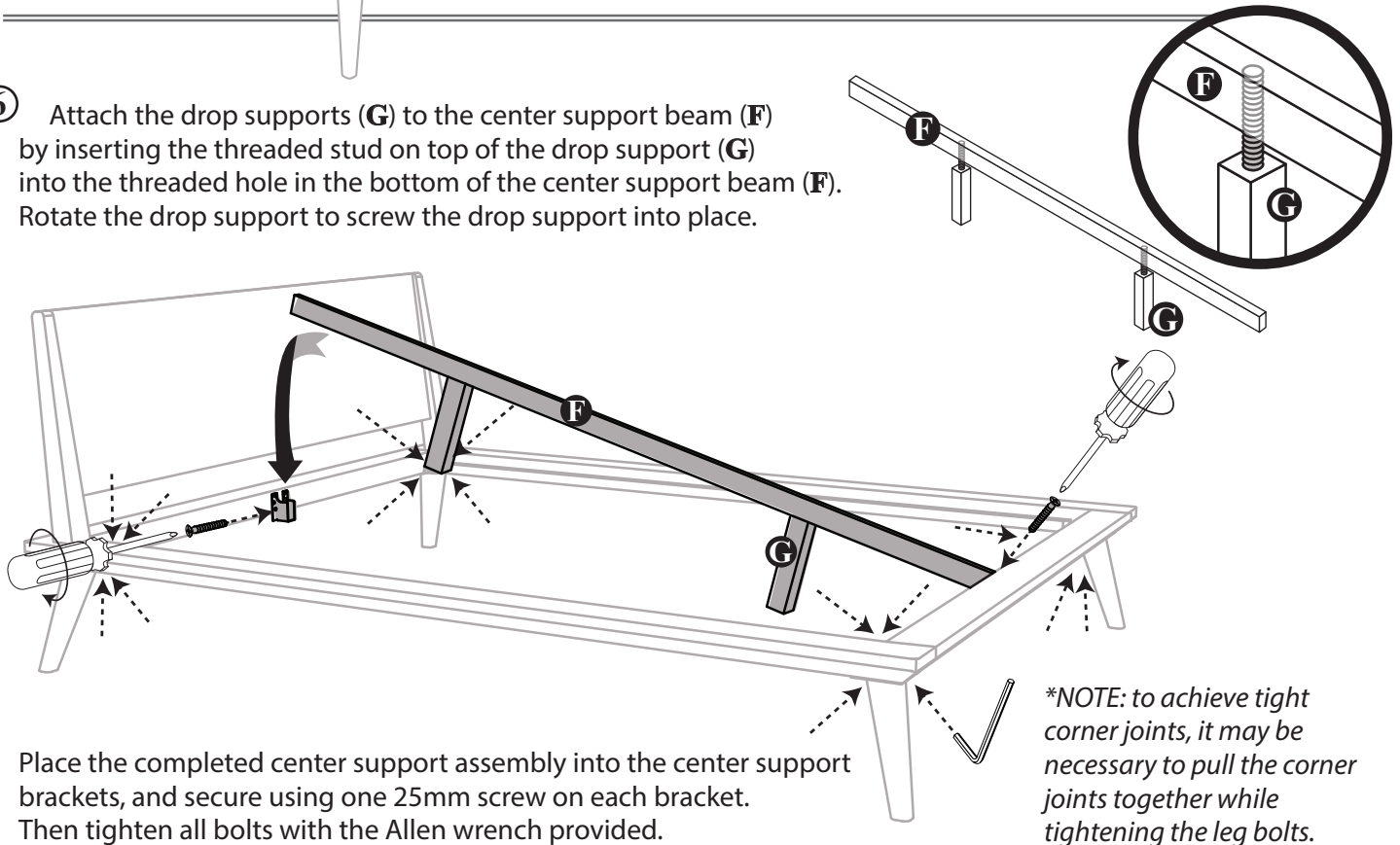
Loosely attach the legs (E) to the bed frame by inserting a spring washer, a flat washer, and a 15mm bolt through each of the raised bracket arms on the legs on the inside of the bed frame and finger tighten. (Diagram IV)

Then insert a spring washer, a flat washer, and a 15mm bolt through each of the bottom of the leg brackets and into the headrail (B) and the side rails (A) and finger tighten. (Diagram IV)



- ⑤ Secure the Headboard (D) to the bed assembly by inserting a spring washer, a flat washer, and two 45mm bolts into the outermost holes in both leg brackets located directly under the headboard uprights (Diagram V) and finger tighten.

- ⑥ Attach the drop supports (G) to the center support beam (F) by inserting the threaded stud on top of the drop support (G) into the threaded hole in the bottom of the center support beam (F). Rotate the drop support to screw the drop support into place.



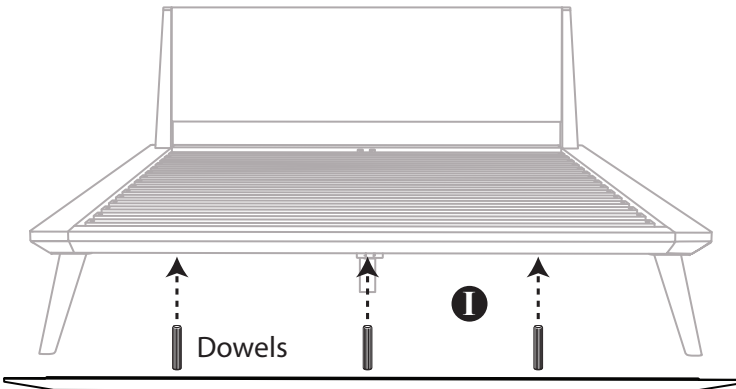
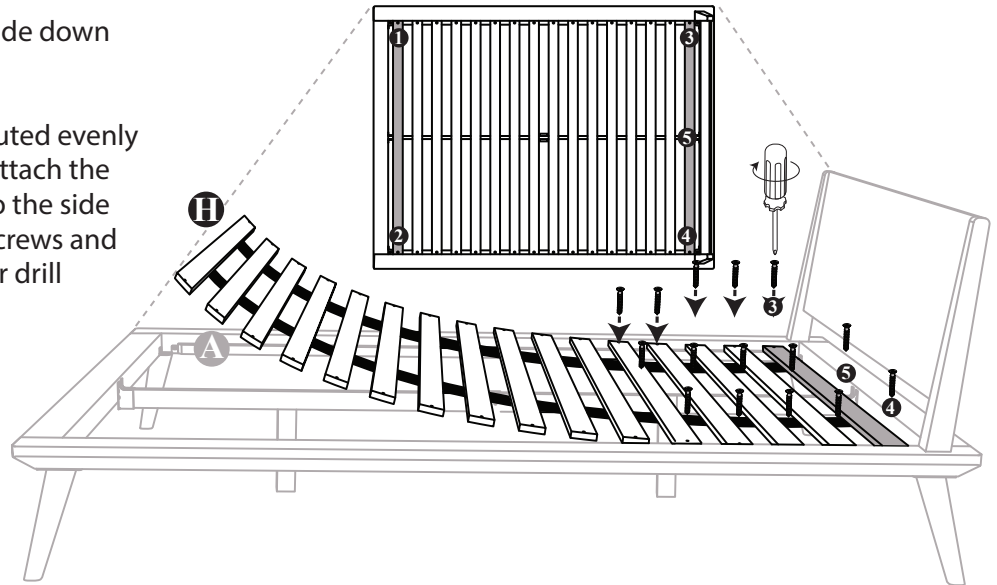
Place the completed center support assembly into the center support brackets, and secure using one 25mm screw on each bracket. Then tighten all bolts with the Allen wrench provided.

**NOTE: to achieve tight corner joints, it may be necessary to pull the corner joints together while tightening the leg bolts.*

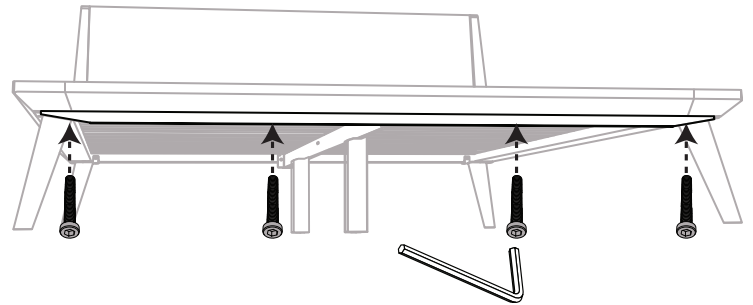
- ⑦ Unroll the slat bundle (**H**) strap side down on the side rail ledges (**A**).

Make sure all of the slats are distributed evenly across the length of the bed, then attach the end slats closest to the footboard to the side rail ledges using the 25mm wood screws and a Phillips head screwdriver or power drill with the clutch set to low.

Then attach the end slats closest to the headboard before continuing on to secure the remaining middle slats. After attaching all of slat ends to the siderails continue to secure slats to center support.



- ⑧ Attach the valance (**I**) to the front of the bed using Three dowels and Four 45mm bolts, tighten with the Allen wrench provided.



Congratulations, you have now completed the assembly of your Abigail Platform Bed!

Simply place your favorite mattress on the slat rails and you are free to enjoy Epoch Design's traditional craftsmanship, quality hardwood construction and sustainable natural beauty for generations to come.

